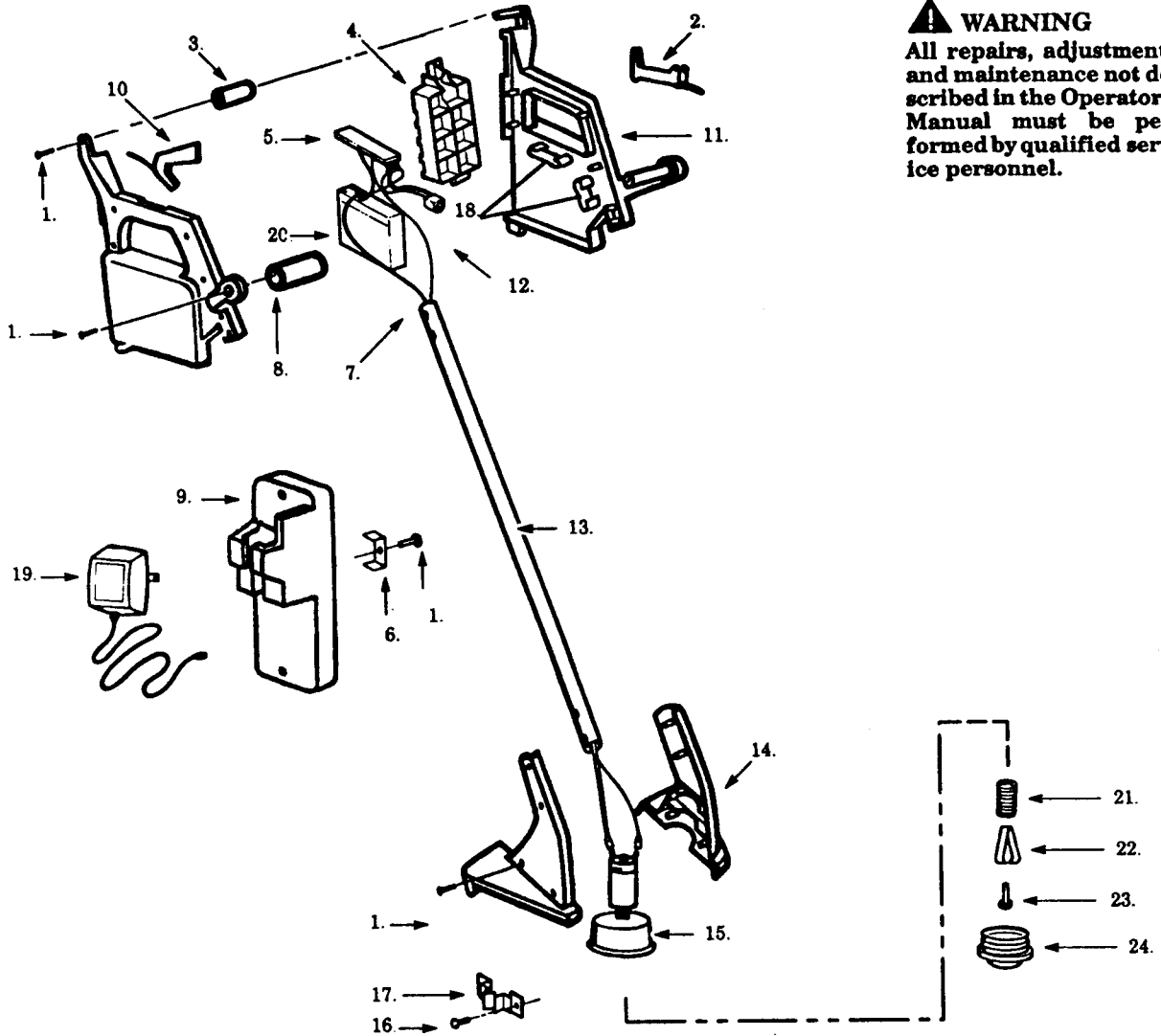


Prod.No: 952 71 53-47

SPAREPARTS

107 26 63-61



▲ WARNING
 All repairs, adjustments and maintenance not described in the Operator's Manual must be performed by qualified service personnel.

Ref.	Part No.	Description	Ref.	Part No.	Description
1.	530-340179	Screw	17.	530-401460	Clamp-Motor
2.	530-400412	Trigger Switch	18.	530-401452	Battery Spring
3.	530-401457	Wrist Support Cushion	19.	530-401757	Charger (240 volts)
4.	530-402310	Battery Door	20.	530-401574	Battery
5.	530-401581	Circuit Board Ass'y.	21.	530-401464	Spring
6.	530-401485	Probe-Clamp	22.	530-401466	Clip Retainer
7.	530-401807	Wire Ass'y. (Red)	23.	530-401467	Screw w/Washer
8.	534-101430	Assist Handle Cushion	24.	531-020451	Spool, Wound
9.	530-401481	Hanging Bracket			
10.	530-037040	Trigger Lock			
11.	530-402307	Battery Hsg. Set			
12.	530-401479	Recepticle Ass'y.			
13.	530-401754	Tube w/ Warning Decal			
14.	530-402303	Motor Hsg. Set w/ Line Limiter			
15.	530-401582	Motor/Hub Ass'y.			
16.	530-015775	Screw			